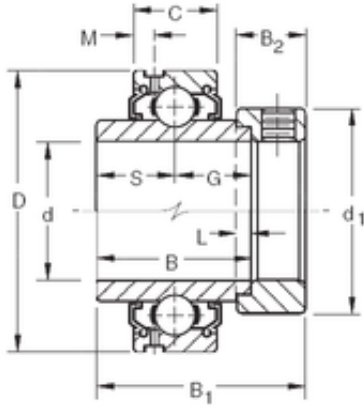


22,225 mm x 52 mm x 34,92 mm TIMKEN G1014KLL Insert Bearings Cylindrical OD



Bearing No. G1014KLL

| | |
|-------------------------------|--------------------|
| Size | 22.225x52x34.92 mm |
| Bore Diameter | 22,225 mm |
| Outer Diameter | 52 mm |
| Width | 34,92 mm |
| d | 22,225 mm |
| D | 52 mm |
| B | 34,92 mm |
| C | 15 mm |
| d1 | 38,1 mm |
| B1 | 44,45 mm |
| B2 | 13,5 mm |
| G | 17,5 mm |
| L | 4 mm |
| M | 3,86 mm |
| S | 17,5 mm |
| Weight | 0,263 Kg |
| Basic dynamic load rating (C) | 15,8 kN |

G1014KLL Bearing 2D drawings and 3D CAD models